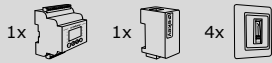
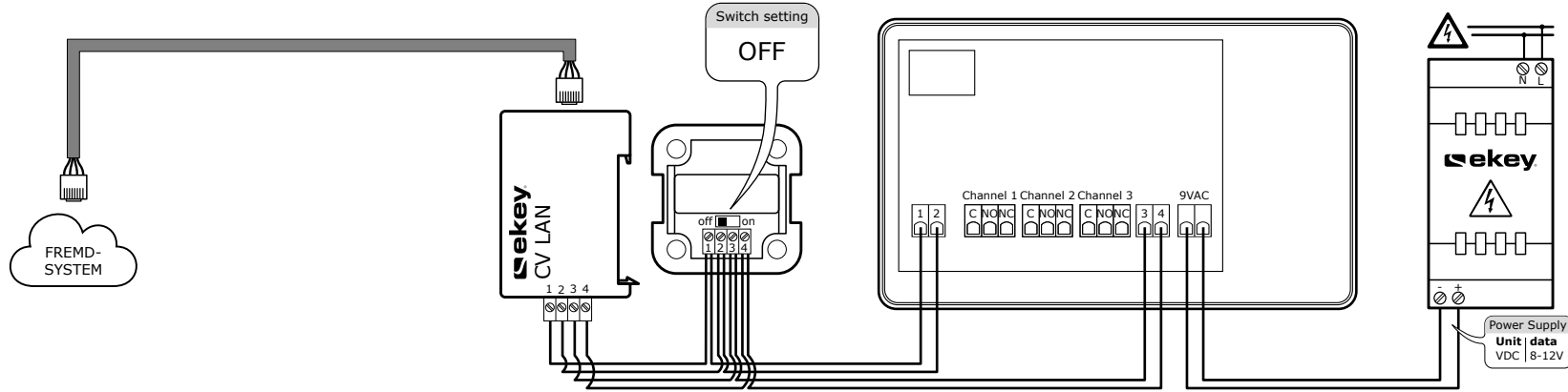
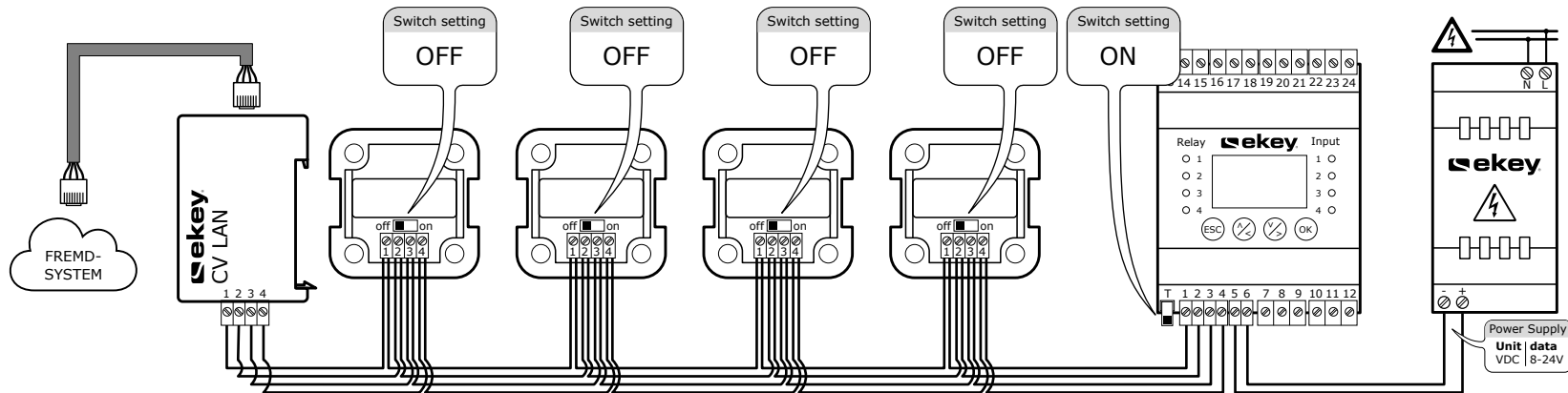


ekey home version



ekey multi version



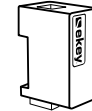
YOUR FINGER. YOUR KEY.
VERKABELUNGSPLAN
WIRING DIAGRAM

ID199/484: Version: 2, 05.10.2015
<http://www.ekey.net/downloads>



CABLE RECOMMENDATION

J-Y(ST)Y with 0.6 or 0.8mm²



PIN	DESCRIPTION
1	RS485 (Clamp 1)
2	RS485 (Clamp 2)
3	Power supply
4	Power supply