

# Mounting instructions ekey dLine cable transfer - 201401



## NOTICE

These Mounting instructions are not subject to updating. We reserve the right to make technical modifications and change the product's appearance; any liability for errors and misprints is excluded.

ID381/771/0/741: Version 1, 2021-04-22



## Technical data:

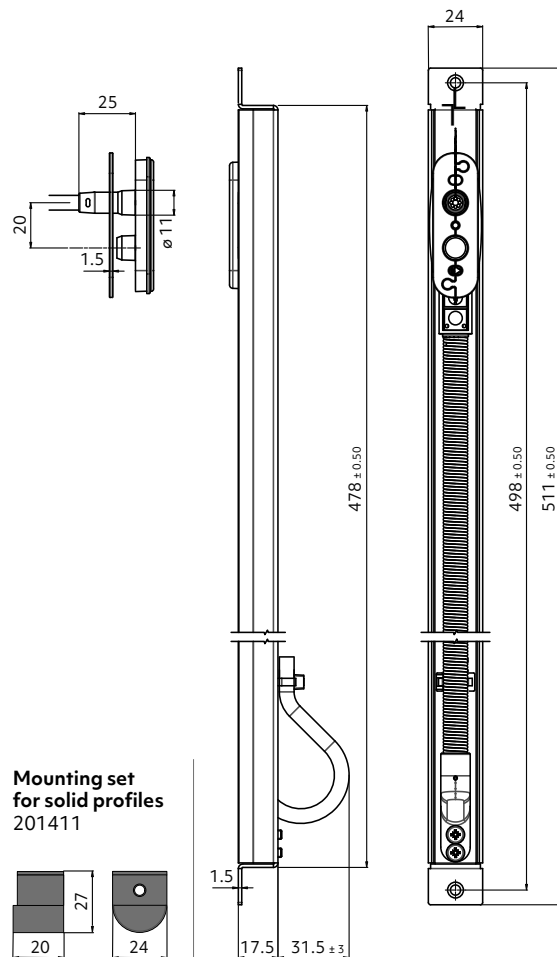
Electrical parameters: 2.5 A; 48 VDC

Cable: Li9Y11Y, 8 x 0.34 mm<sup>2</sup>, RoHS compliant

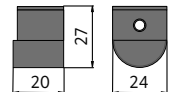
IP rating: IP40/connector IP67

Temperature: from -20 °C to +75 °C

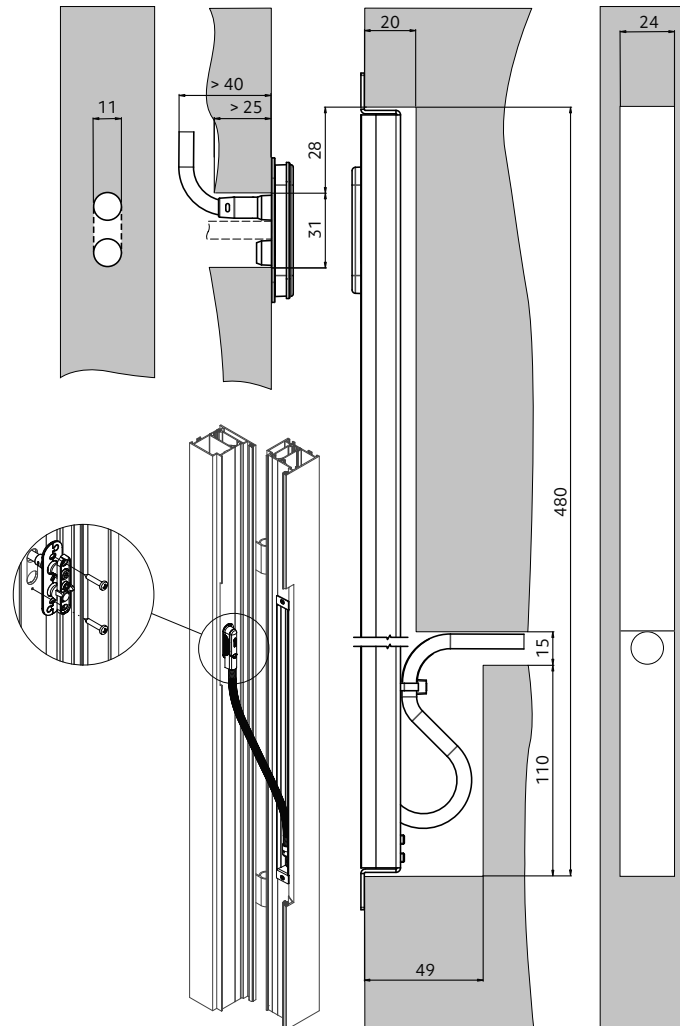
## Dimensions



## Mounting set for solid profiles 201411



## Milling dimensions for mounting into hollow profiles



## Milling dimensions for mounting into solid profiles

