

# Mounting instructions

## ekey dLine fingerprint scanner (solid material)

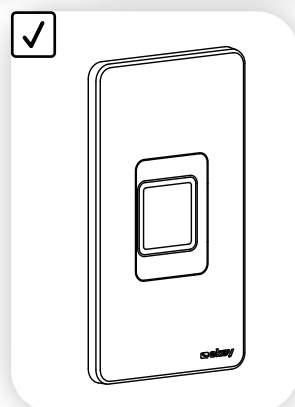
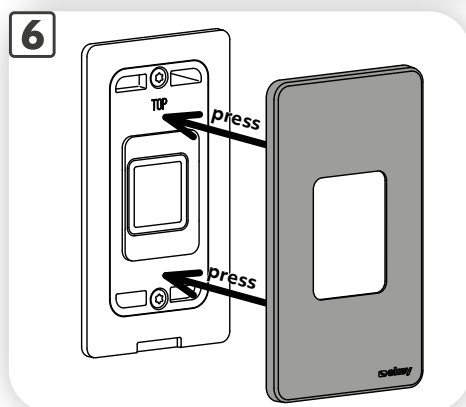
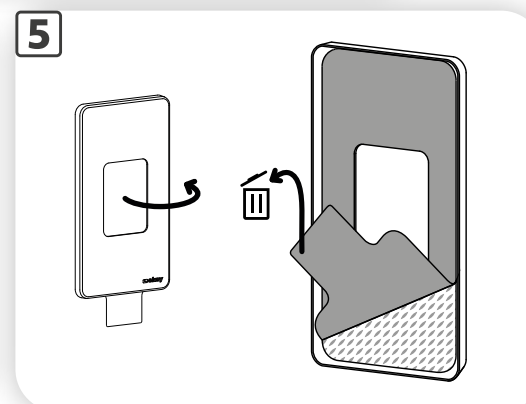
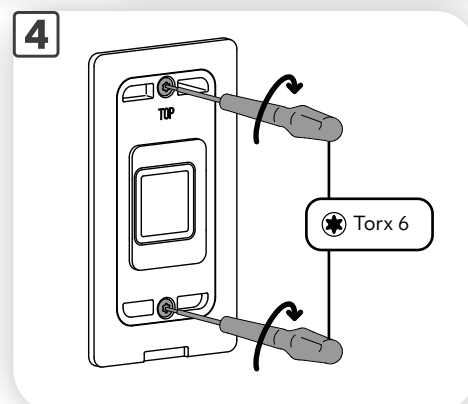
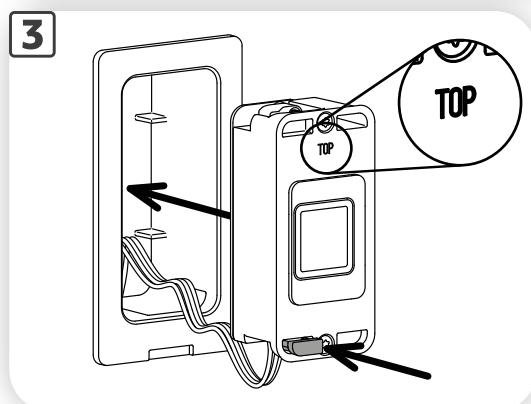
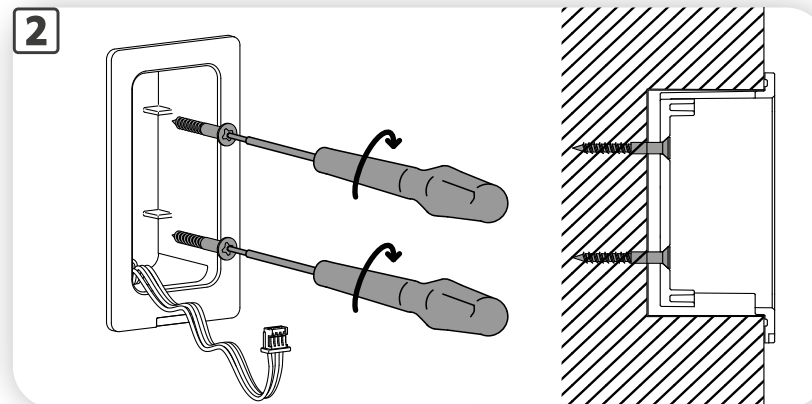
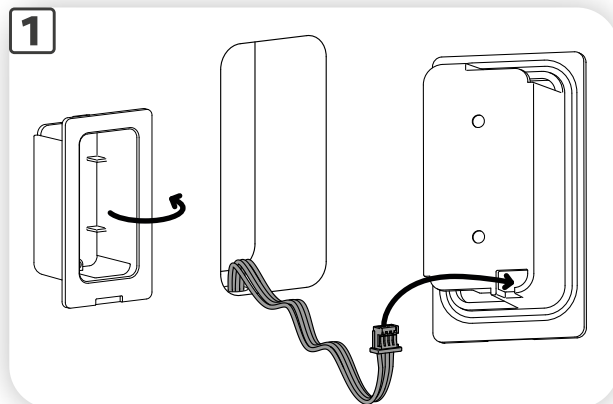


YOUR FINGER. YOUR KEY.

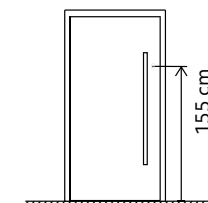
ID357/827/0/835: Version 2, 2025-02-07



850446



### RECOMMENDED MOUNTING HEIGHT



### ⚠ ATTENTION

**Property damage in the event of incorrect mounting and wiring:** The system devices are operated using electricity. They could be destroyed if they are mounted and wired incorrectly. Mount and wire the system devices correctly before connecting the power.

### 📄 NOTICE

These Mounting instructions are not subject to updating. We reserve the right to make technical modifications and change the product's appearance; any liability for errors and misprints is excluded.