

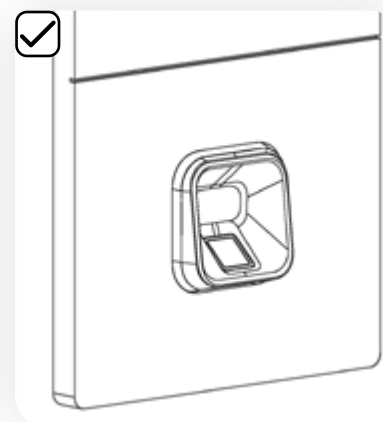
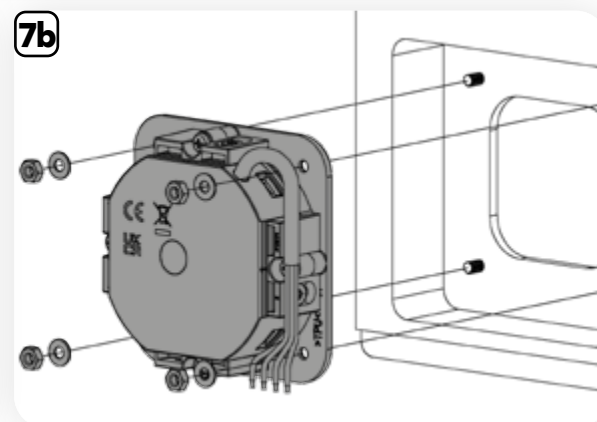
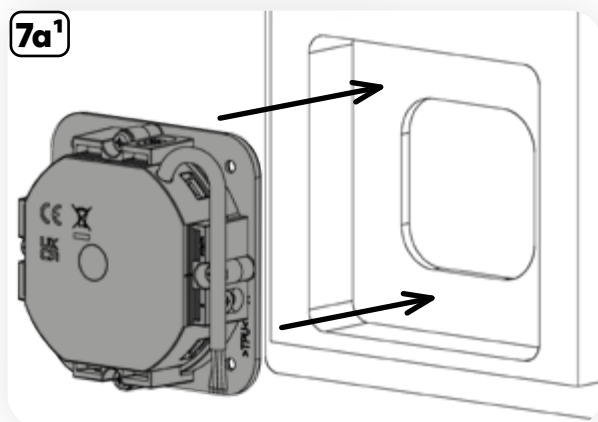
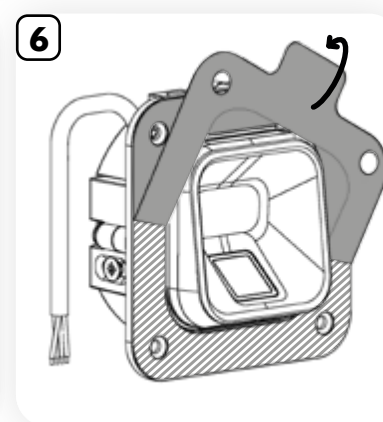
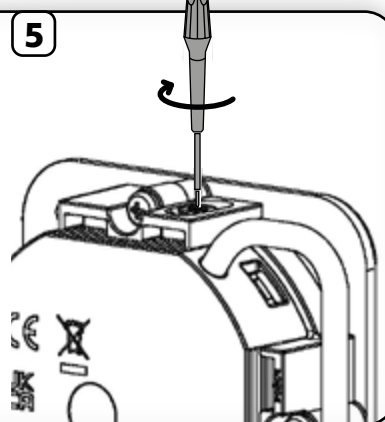
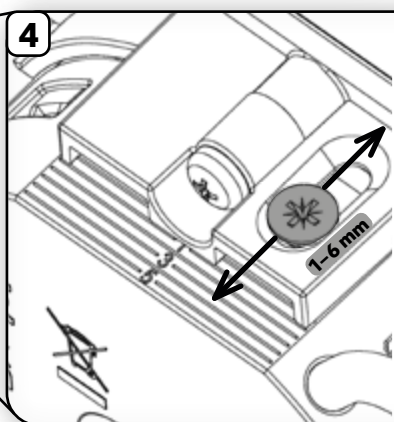
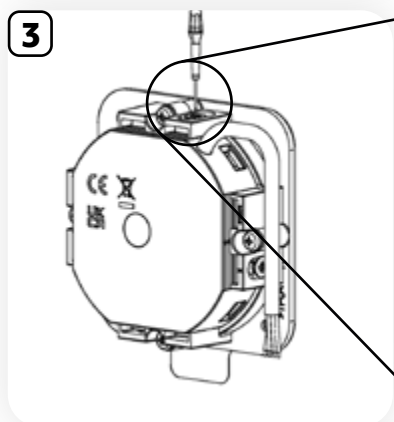
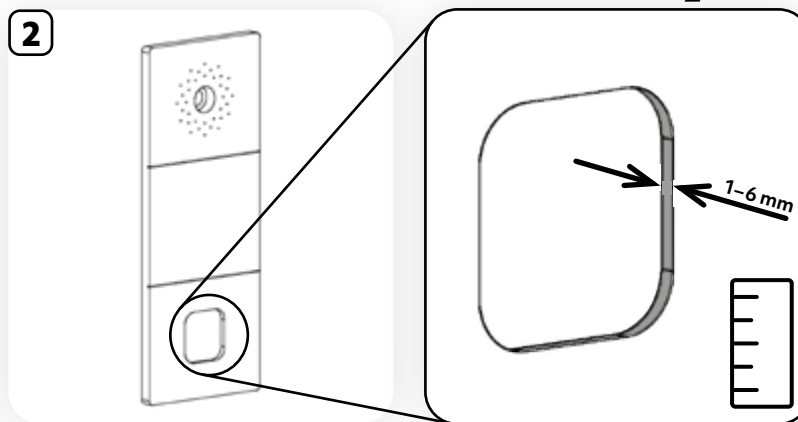
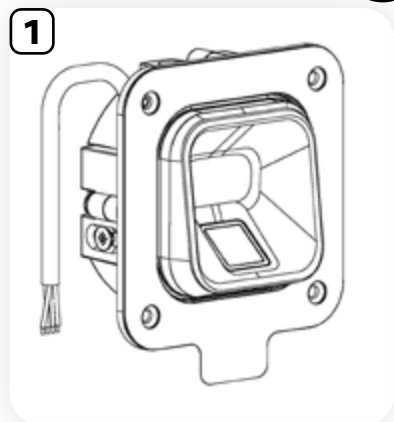
# Mounting instructions ekey sLine



ID386/776/0/764: Version 1, 2022-07-07



850614



## Video instructions

You can watch the video instructions for installing the ekey sLine by scanning the QR code.

## NOTE ON THE GLUE VARIANT

Remove the entire base foil. Thoroughly clean the surface where the device is to be mounted. Adhere the fingerprint scanner to a smooth, dry surface at room temperature. Apply a large amount of pressure to the surface to adhere the fingerprint scanner. The bond only reaches maximum adhesive strength after 3 days. Only then can the fingerprint scanner be fully loaded.

## ATTENTION

**Property damage in the event of incorrect mounting and wiring:** The system devices are operated using electricity. They could be destroyed if they are mounted and wired incorrectly. Mount and wire the system devices correctly before connecting the power.

## NOTICE

These mounting instructions are not subject to updating. We reserve the right to make technical modifications and change the product's appearance; any liability for errors and misprints is excluded.