

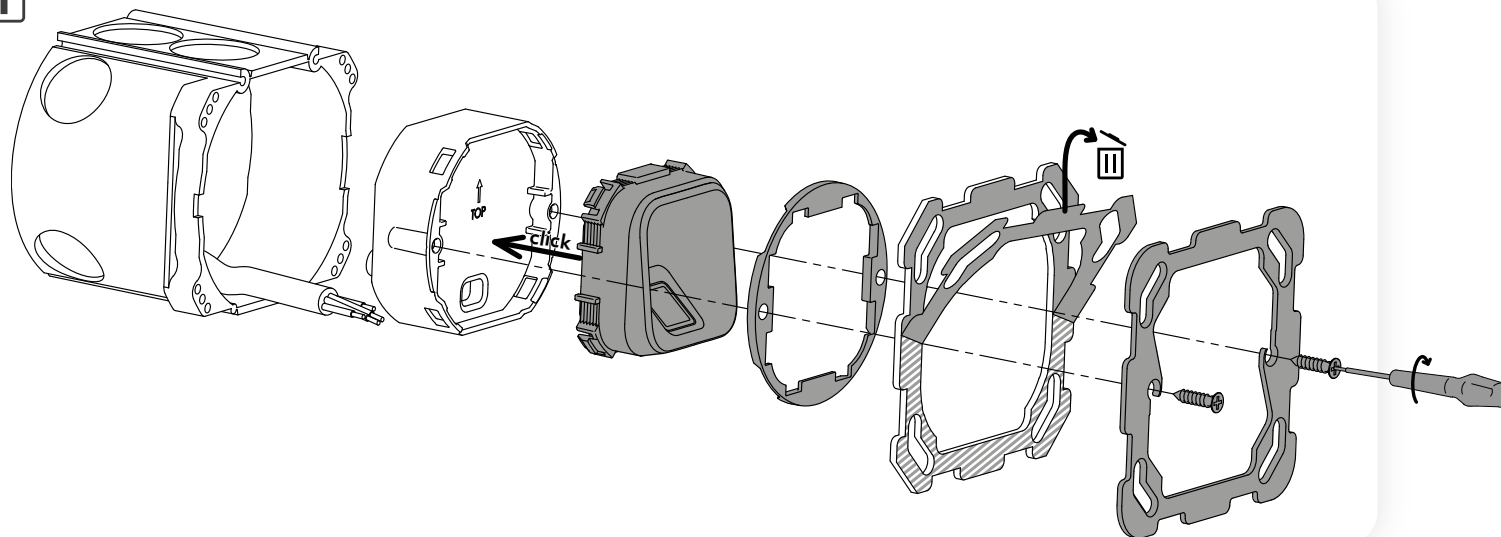
Mounting instructions ekey xLine CH



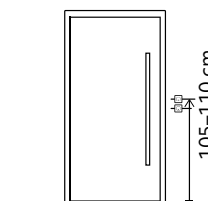
ID394/797/0/801: Version 2, 2023-06-01



1



RECOMMENDED MOUNTING HEIGHT



ATTENTION

Property damage in the event of incorrect mounting and wiring: The system devices are operated using electricity. They could be destroyed, e.g. by water ingress, if they are mounted and wired incorrectly. Mount and wire the system devices correctly before connecting the power.

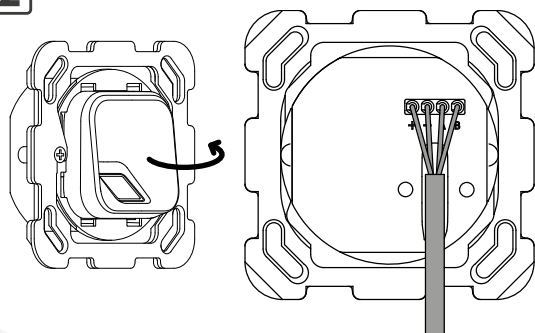
NOTICE

These mounting instructions are not subject to updating. We reserve the right to make technical modifications and change the product's appearance; any liability for errors and misprints is excluded.

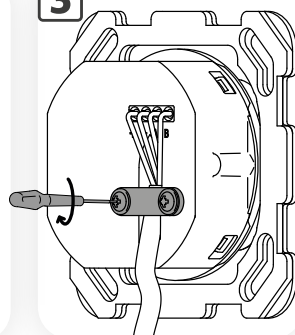
NOTICE

The set includes a suitable adapter for Feller and Hager switch ranges. The set does not include the mounting plate for the flush mount back box.

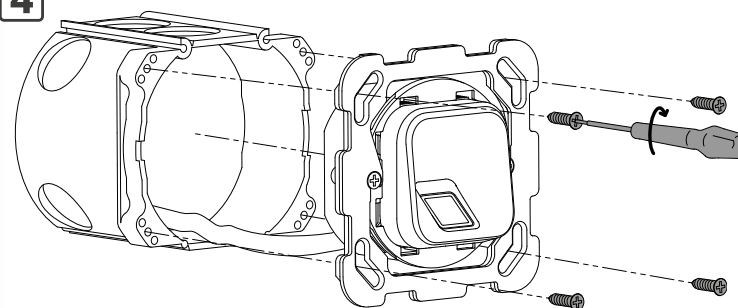
2



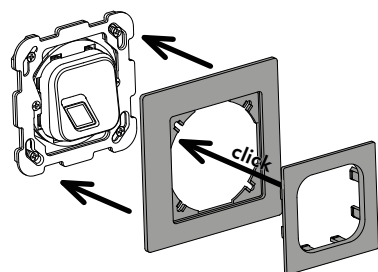
3



4



5



✓

