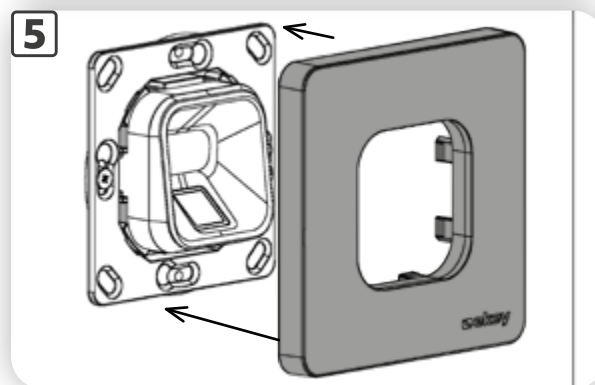
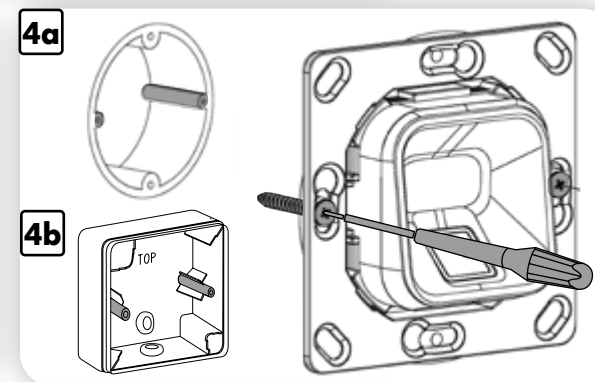
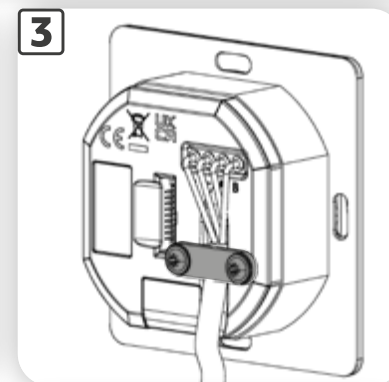
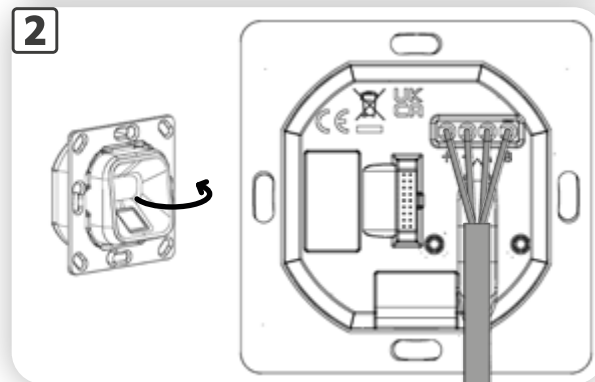
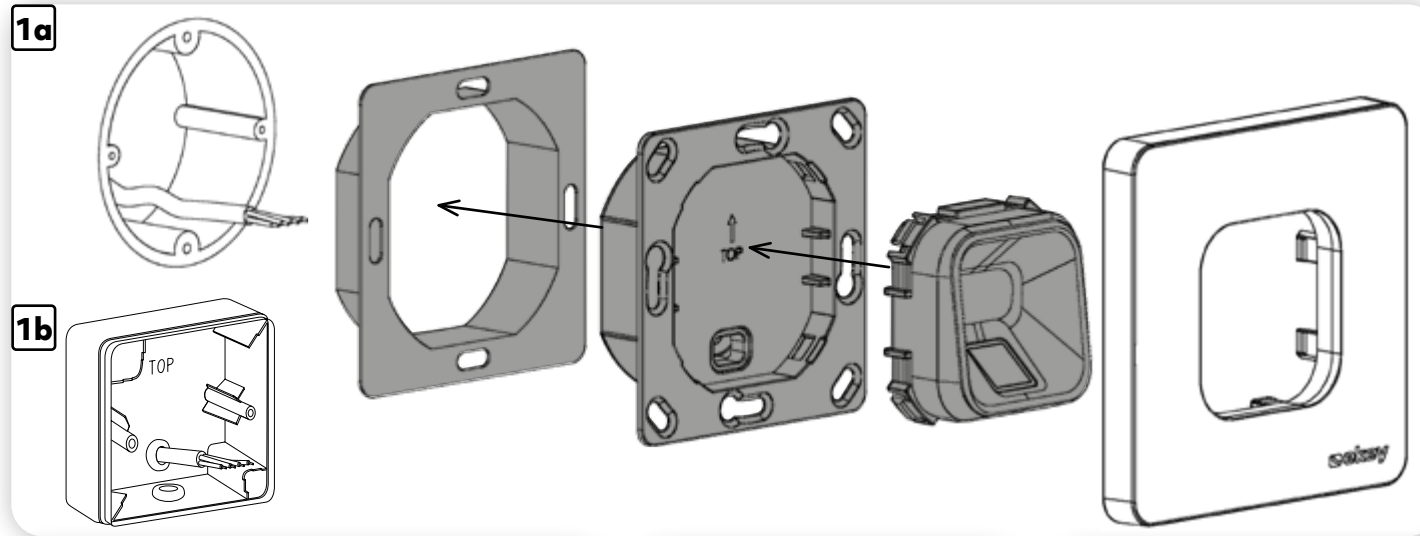


Mounting instructions ekey xLine WM/OM



⚠ ATTENTION

Property damage in the event of incorrect mounting and wiring: The system devices are operated using electricity. They could be destroyed, e.g. by water ingress, if they are mounted and wired incorrectly.

Mount and wire the system devices correctly before connecting the power. "TOP" on the wall-mounted housing must face upwards. Guide the cable through the cable grommet.

📄 NOTICE

These mounting instructions are not subject to updating. We reserve the right to make technical modifications and change the product's appearance; any liability for errors and misprints is excluded.