

YOUR FINGER. YOUR KEY.
VERKABELUNGSPLAN
WIRING DIAGRAM

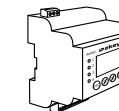
ID110/598: Version 6, 2017-05-12
<https://www.ekey.net/downloadcenter/>



CABLE RECOMMENDATION

J-Y(ST)Y with \varnothing 0.6 or 0.8 mm

OPTIONAL - 



PIN	DESCRIPTION
1	RS-485 (clamp 1)
2	RS-485 (clamp 2)
3	Power supply FS
4	Power supply FS
5	+VCC (8-24 VDC)
6	-VCC
7	Relay 1 C (common)
8	Relay 1 NO (normally open)
9	Relay 1 NC (normally closed)
10	Input 1/2 common
11	Input 1 - potential-free!
12	Input 2 - potential-free!
13	Relay 2 C (common)
14	Relay 2 NO (normally open)
15	Relay 2 NC (normally closed)



YOUR FINGER. YOUR KEY.

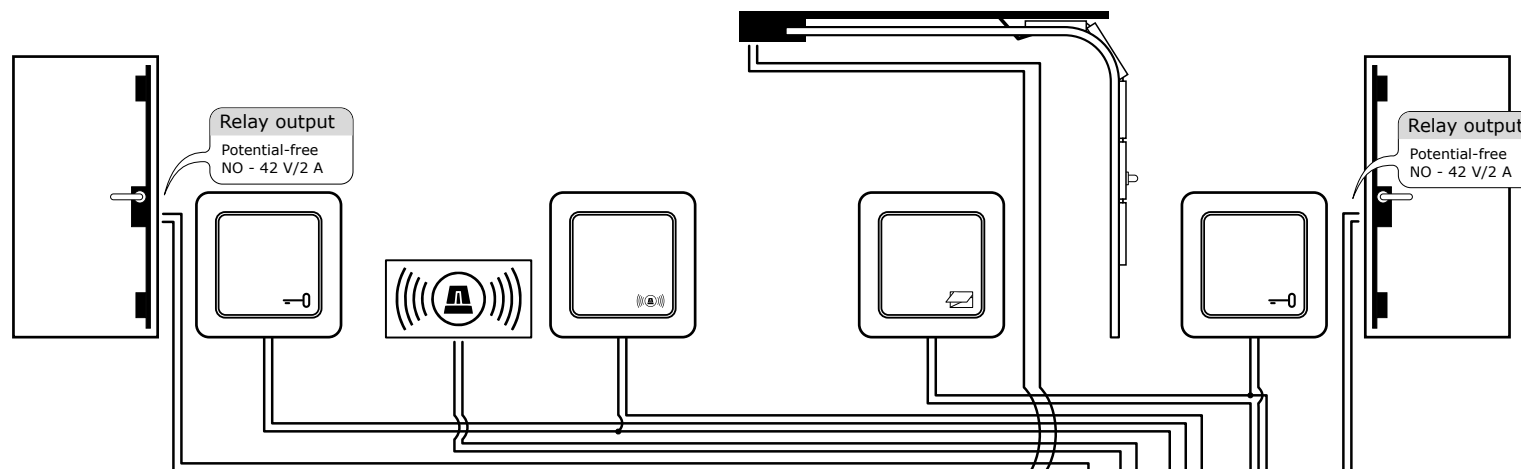
VERKABELUNGSPLAN
WIRING DIAGRAM

ID110/598: Version 6, 2017-05-12
<https://www.ekey.net/downloadcenter/>

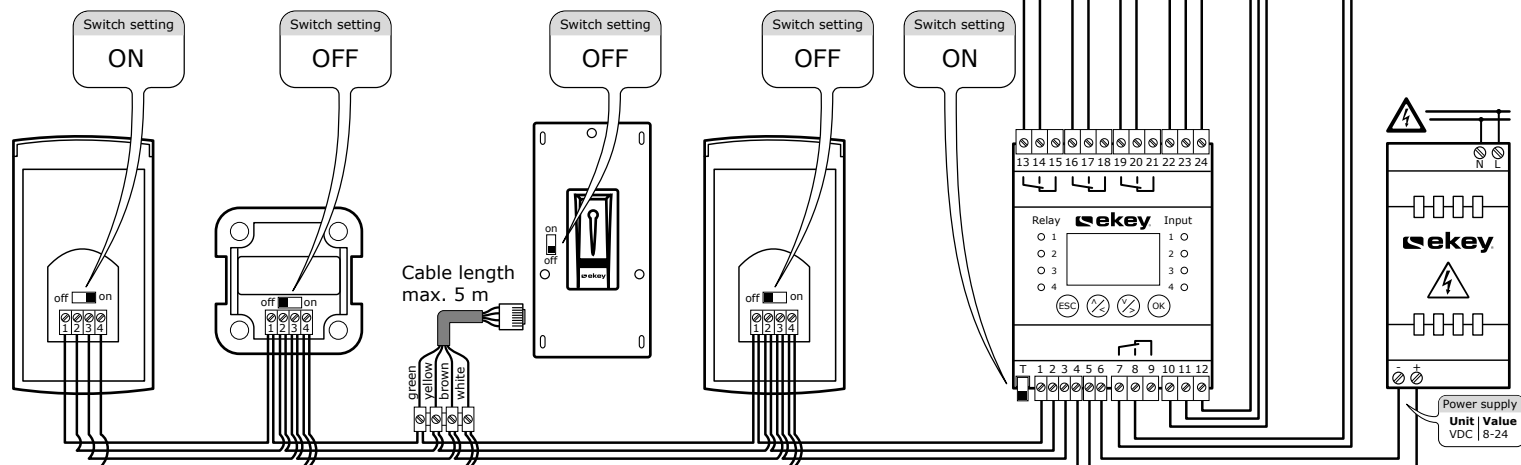


CABLE RECOMMENDATION

J-Y(ST)Y with \varnothing 0.6 or 0.8 mm



! Switch the termination of the **first** and the **last** device in the RS-485 bus line to "ON"



PIN	DESCRIPTION
1	RS-485 (clamp 1)
2	RS-485 (clamp 2)
3	Power supply FS
4	Power supply FS
5	+VCC (8-24 VDC)
6	-VCC
7	Relay 1 C (common)
8	Relay 1 NO (normally open)
9	Relay 1 NC (normally closed)
10	Input 1/2 common
11	Input 1 - potential-free!
12	Input 2 - potential-free!
13	Relay 2 C (common)
14	Relay 2 NO (normally open)
15	Relay 2 NC (normally closed)
16	Relay 3 C (common)
17	Relay 3 NO (normally open)
18	Relay 3 NC (normally closed)
19	Relay 4 C (common)
20	Relay 4 NO (normally open)
21	Relay 4 NC (normally closed)
22	Input 3/4 common
23	Input 3
24	Input 4